

Supersedes edition 03/11/2014



INSET HELIPORT LIGHT

HSOL

INSTRUCTION MANUAL FOR USE, INSTALLATION AND MAINTENANCE

Compiled by: Emidio Rauli

Approved by: Matteo Mazzotti

N° Attachments: 1

Copy n°:

Edition 13/10/2017

Supersedes edition 11/03/2014

INSET HELIPORT LIGHT HSOL
INSTRUCTION MANUAL FOR USE, INSTALLATION AND MAINTENANCE

LIMITED PRODUCT WARRANTY

THE FOLLOWING WARRANTY IS EXCLUSIVE AND IN LIEU OF ALL OTHER WARRANTIES, WHETHER EXPRESS, IMPLIED OR STATUTORY, INCLUDING, BUT NOT BY WAY OF LIMITATION, ANY WARRANTY OF MERCHANTABILITY OR FITNESS FOR ANY PARTICULAR PURPOSE.

OCEM - ENERGY TECHNOLOGY warrants to each original Buyer of Products manufactured by the Company that such Products are at the time of delivery to the Buyer, free of material and workmanship defects, provided that no warranty is made with respect to:

- (a) any Product, which has been repaired or altered in such a way, in Company's judgement, as to affect the Product adversely;
 - (b) any Product which has, in Company's judgement, been subject to negligence, accident or improper storage;
 - (c) any Product which has not been operated and maintained in accordance with normal practice and in conformity with recommendations and published specification of Company;
 - (d) the breaking of the warranty seals, if present, determines the immediate termination of the warranty;
- and,

OCEM - ENERGY TECHNOLOGY's obligation under this warranty is limited to use reasonable efforts to repair or, at its option, replace, during normal working hours at the facility of the Company, any Product which in its judgement proved not to be as warranted within the applicable warranty period. All costs of transportation of Products claimed not to be warranted and of those repaired or replaced, to or from the facility of the Company shall be borne by Purchaser. Company may require the return of any Product claimed not to be as warranted to its facility, transportation prepaid by Purchaser, to establish a claim under this warranty. The cost of labour for the installation of a repaired or replaced Product shall be borne by Purchaser. Replacement parts provided under the terms of this warranty are warranted for the remainder of the warranty period of the Products upon which they are installed to the same extent as if such parts were original components thereof. Warranty services provided under the Agreement do not assure uninterrupted operations of Products; Company does not assume any liability for damages caused by any delays involving warranty service.

IMPORTANT: READ THIS DOCUMENT

Before proceeding to the operations of installation, commissioning, operation, maintenance or disposal, carefully read the entire document.

SAFETY INFORMATION

Extreme caution should be exercised when working with this equipment; it is normally used or connected to circuits that operate at dangerous voltages and can be fatal.

The following section contains important safety information that you must follow when installing and using the apparatus.

Misuse of the equipment or lack of care in applying safety procedures and prescriptions specified in this document, may result in a hazard.

Avoid contact with voltage or current sources.

For no reason the protections and the safety devices must be removed.

Edition 13/10/2017

Supersedes edition 11/03/2014

INSET HELIPORT LIGHT HSOL
INSTRUCTION MANUAL FOR USE, INSTALLATION AND MAINTENANCE

OPERATION ON THE EQUIPMENT - SKILLS

Operation on the equipment and access to its internal parts shall be done by experienced personnel, adequately trained and aware of the risks related to electricity and high voltages.
Safety rules shall be adopted when operating on the equipment, or on cables and other apparatus connected to the it

DO NOT OPERATE ON ENERGIZED CIRCUITS

Do not carry out any operation on the converter or on apparatus connected to it when the circuits are energized.

WHEN HANDLING AND SERVICING THIS EQUIPMENT, OBSERVE PRECAUTIONS FOR HIGH VOLTAGE EQUIPMENT.

Before any access, inspection or intervention, be sure to have switched-off the unit, opened the main circuit breaker and removed the supply to the unit (by opening the circuit breaker/switch on the distribution board at the beginning of the supply line).

Then wait discharge time (at least 5 minutes), ground carefully the system, and check for voltage presence before accessing..

REANIMATION

The maintenance staff must be aware of the risks related to electricity, criteria to prevent the risk of electric shock and resuscitation techniques

CE MARK



This equipment complies with the requirements of European regulations for the CE mark. The user has to respect all prescriptions reported in this document.

This equipment complies with the requirements of the EEC directives 2004/108/EEC and 2006/95/EEC with regard to “Electromagnetic Compatibility” and “Low Voltage Electrical Apparatus” respectively.

OUT OF SERVICE

In case of dismantling, decommissioning, destruction, disposal, the user shall follow all the required precautions for component and material elimination, according to local rules and applicable law.

Edition 13/10/2017

Supersedes edition 11/03/2014

INSET HELIPORT LIGHT HSOL
INSTRUCTION MANUAL FOR USE, INSTALLATION AND MAINTENANCE

EDITIONS

Date

10/11/2012	First issue
12/14/2012	General Revision
11/03/2014	New address of the Company Deleted § "List of the recommended spare parts" and added relevant attachment
05/07/2017	Modified ground wire and screw type
13/10/2017	Replaced 75W 12V lamp with 90W 12V

REVISIONS

Index	Date	Description	Edited by	Approved by
--------------	-------------	--------------------	------------------	--------------------

LIST OF EFFECTIVE PAGES

From page 1 to page 34

Edition 13/10/2017

Supersedes edition 11/03/2014

INSET HELIPORT LIGHT HSOL
INSTRUCTION MANUAL FOR USE, INSTALLATION AND MAINTENANCE

INDEX

LIMITED PRODUCT WARRANTY.....	2
SAFETY INFORMATION	2
EDITIONS	4
REVISIONS.....	4
LIST OF EFFECTIVE PAGES.....	4
INDEX.....	5
INDEX OF FIGURES.....	6
INDEX OF TABLES.....	7
LIST OF ATTACHMENTS	7
1 GENERAL.....	8
2 MAIN FEATURES	8
2.1 REMOVABLE LIGHT UNIT.....	8
2.1.1 Dome.....	8
2.1.2 Optical Assembly.....	9
2.1.3 Luminous System	9
2.1.4 Lower Cover	9
2.2 SHALLOW BASE	15
3 INSTALLATION	16
3.1 Pavement Boring and Sawcutting.....	16
3.2 INSTALLING THE SHALLOW BASE	17
3.3 INSTALLING THE LIGHT UNIT ON L-868 BASE, SIZE B.....	23
3.4 SECONDARY WIRING	23
4 MAINTENANCE	24
4.1 MAINTENANCE PROGRAM	24
4.1.1 Periodical Checks	24
4.1.2 Snowplow Operations.....	25
4.2 REMOVING AND OPENING THE LIGHT UNIT FROM THE BASE	25
4.2.1 Removing the fixture	25
4.2.2 Opening the fixture.....	25
4.2.3 How to Access the Filter and Lens Assembly.....	26
4.2.4 Closing the fixture	26
4.2.5 Leakage test	26
4.2.6 Reinstalling the fixture.....	27
4.3 LENS CLEANING	28
4.3.1 Lens outside cleaning.....	28
4.3.2 Lens inside cleaning	28
4.4 LENS REPLACEMENT.....	28
4.4.1 Removing the Lens.....	29
4.4.2 Installing the New Lens.....	29
4.5 FILTER REPLACEMENT	29

INSET HELIPORT LIGHT HSOL
INSTRUCTION MANUAL FOR USE, INSTALLATION AND MAINTENANCE

4.5.1	Removing the filter	29
4.5.2	Istalling the new filter	30
4.6	RELAMPING	30
4.7	GASKETS.....	31
4.7.1	Gasket examination	31
4.7.2	O-Ring replacement	32
4.8	CABLE LEAD WITH PLUG.....	32
4.8.1	Removing the cable lead with plug.....	32
4.8.2	Installing the new cable lead with plug	33
4.9	PRESSURE VALVE	33
4.10	CLEANING	34

INDEX OF FIGURES

Figure 1	– Dome outside view	9
Figure 2	– Lower Cover Outside View	10
Figure 3	– Lower Cover Inside View	10
Figure 4	– Wiring Diagram.....	11
Figure 5	– Exploded View	12
Figure 6	– Part List.....	13
Figure 7	– Complete P/N identification.....	14
Figure 8	– Gasket of 8” fixture for 8” shallow base.....	15
Figure 9	– Standard 8”-12” shallow base	16
Figure 10	– Pavement Boring, Sawcutting and Joint Intersection Details	16
Figure 11	– Gaskets for 8” shallow base	20
Figure 12	– Gaskets for 12” shallow base	20
Figure 13	– 8” shallow base for side or bottom ducts (method “B”).....	21
Figure 14	– 12” shallow base for side or bottom ducts (method “B”).....	21
Figure 15	– Shallow base installation details	22
Figure 16	– Optical device (refer to the manual UT-MT-0485 for further information)	22
Figure 17	– Gaskets for L-868 base	23
Figure 18	– Removing the Aluminium Ring.....	26
Figure 19	- Lower Cover Fixing Screws	26
Figure 20	- Lower Cover with Pressure Valve.....	27
Figure 21	– Fixture Gaskets	27
Figure 22	– Lens Surface to be Cleaned	28
Figure 23	- Lens Replacement	29
Figure 24	- Filter Replacement	30
Figure 25	- Relamping.....	30
Figure 26	– Fixture Gaskets	31
Figure 27	– Lens Gasket.....	32
Figure 28	- Cable Lead With Plug.....	33

Edition 13/10/2017

Supersedes edition 11/03/2014

INSET HELIPORT LIGHT HSOL
INSTRUCTION MANUAL FOR USE, INSTALLATION AND MAINTENANCE

Figure 29 - Lower Cover with Pressure Valve 34

INDEX OF TABLES

Table 1 – Lamp Selection..... 14

LIST OF ATTACHMENTS

UC-PU-0313 - LIST OF THE RECOMMENDED SPARE PARTS

Edition 13/10/2017

Supersedes edition 11/03/2014

INSET HELIPORT LIGHT HSOL
INSTRUCTION MANUAL FOR USE, INSTALLATION AND MAINTENANCE

1 GENERAL

HSOL semi-flush heliport light is low intensity, omnidirectional, inset, 8" steady burning type.

These fixtures are intended for use as helipad are alighting.

HSOL lights are in compliance with ICAO Annex 14 Vol.2, IEC TS 61827 (Style 4) and NATO-STANAG 3619.

The fixtures described in this manual are designed to be fed through standard isolation transformers connected to CCR and voltage power supply.

Location of these fittings shall be in compliance with ICAO – Annex 14 and STANAG 3619.

2 MAIN FEATURES

Each light assembly consists of a removable fixture and a shallow base receptacle. The fixture is waterproof and designed to withstand aircraft impact and roll-over loads without damage.

On request a suitable adaptor ring (base mounted, option R) is available to allow the installation on shallow base, 12" diameter, or on deep base, type L-868, size B, as per FAA AC 150/5345-42, thereby permitting replacement of any inset fixture without removing the deep base from the pavement.

2.1 REMOVABLE LIGHT UNIT

The removable fixture mainly consists of a dome, an optical assembly and a lower cover.

2.1.1 Dome

The dome is made of treated drop-forged aluminium and includes one cavity to seat the lens, complete with gasket, kept in the proper position by means of an aluminium ring fixed with HSCS M5x16 screws.

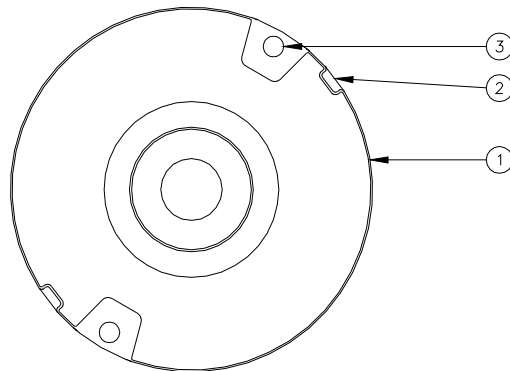
The dome is provided with two through holes for fastening the light unit to the base and two dead holes for matching two studs mounted on the base, so to prevent the rotation of the light unit due to aircraft wheel impact/roll over

It is also provided with two suitable slots, in opposite position, to make easy the fixture removal by using two suitable lifting tools (available on request, P/N 332.4140 or 332.4230). As alternative, two screwdrivers can be used.

A silicone O-Ring (separately supplied) has to be mounted outside around the dome, to avoid dirt deposits between dome and shallow base.

Edition 13/10/2017

Supersedes edition 11/03/2014

INSET HELIPORT LIGHT HSOL
INSTRUCTION MANUAL FOR USE, INSTALLATION AND MAINTENANCE

1. Dome
2. Slot for dome removal
3. Through hole for light unit fastening

Figure 1 – Dome outside view

2.1.2 Optical Assembly

The **optical assembly** consists of one lens (Figure 5 - n°3) with relevant gaskets (Figure 5 - n°4), a coloured filter with relevant gaskets (Figure 5 - n°5-6) and one lamp (Figure 5 - n°16).

All the optical assembly parts are factory assembled; they may be field-replaced if necessary.

2.1.3 Luminous System

The luminous system is available in two versions: series circuit or voltage power supply.

The luminous system consists of a mounting plate (Figure 5 – n°19) with three stud bolts (Figure 5 – n°18) holding an aluminium coated reflector (Figure 5 – n°17). The lampholder G/GY6.35 (Figure 5 – n°20) at the centre of the plate allows a quick lamp replacement. A different lamp is mounted depending on the fixture type:

- 45 W, 6,6 A, average life 1500 h, G 6.35 base, for ICAO/STANAG helipad edge
- 35 W or 50 W, 12 V average life 4000 h, GY 6.35 base, for ICAO/STANAG helipad edge
- 90 W, 12 V, average life 4000 h, GY 6.35 base, for ICAO aiming point and FATO lights

2.1.4 Lower Cover

The **lower cover** consists of a treated aluminium casting; it is fastened to the dome by means of three screws TORX SFH M5x10. An O-Ring is provided between dome and lower cover.

The cover is provided with one threaded hole for cable entry and external grounding screw with yellow-green cable lead, size 2.5 mm², 0.460 m long, with male faston terminal. A suitable valve is outside mounted for the leakage test.

INSET HELIPORT LIGHT HSOL
INSTRUCTION MANUAL FOR USE, INSTALLATION AND MAINTENANCE

Watertightness between fixture and shallow base is ensured by means of an O-Ring (separately supplied) to be placed on the relevant groove around the lower cover.

The fixture is supplied with one **cable lead with L-823 plug**; it consists of two single-pole teflon leads, size 2.1 mm² (#14 AWG), 0.700 m long. The plug is in compliance with FAA AC 150/5345-26 for very quick coupling with the receptacle mounted on the shallow base.

The fixture is 203 mm in diameter and 92 mm (+ 18,5 mm for plugs) high; the protrusion above the ground is less than 6.35 mm.

An identification data label is externally applied over the lower cover (Figure 2 – n°2). Moreover, to identify quickly the beam colour, the letters “A” of the lower cover is painted in the same colour of the light beam.

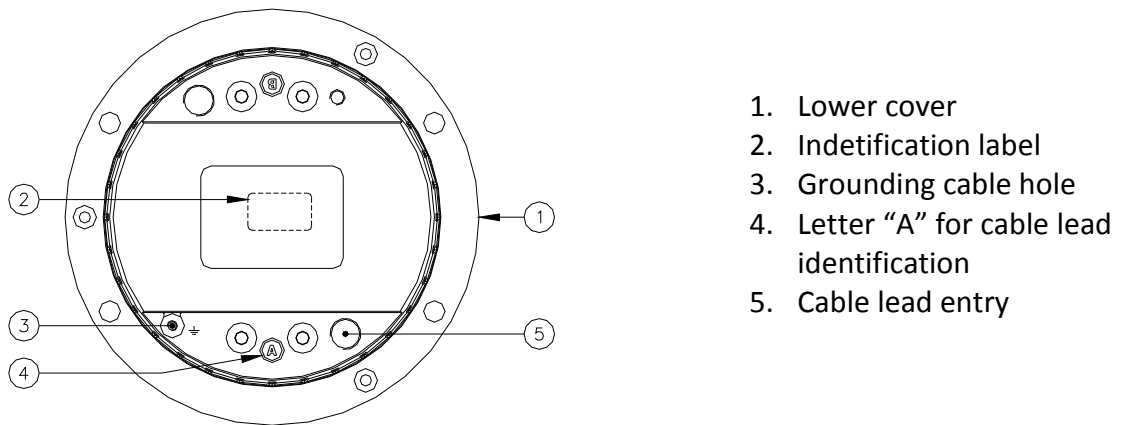


Figure 2 – Lower Cover Outside View

See “Complete P/N identification” figure for P/N information.

All hardware is made of stainless steel.

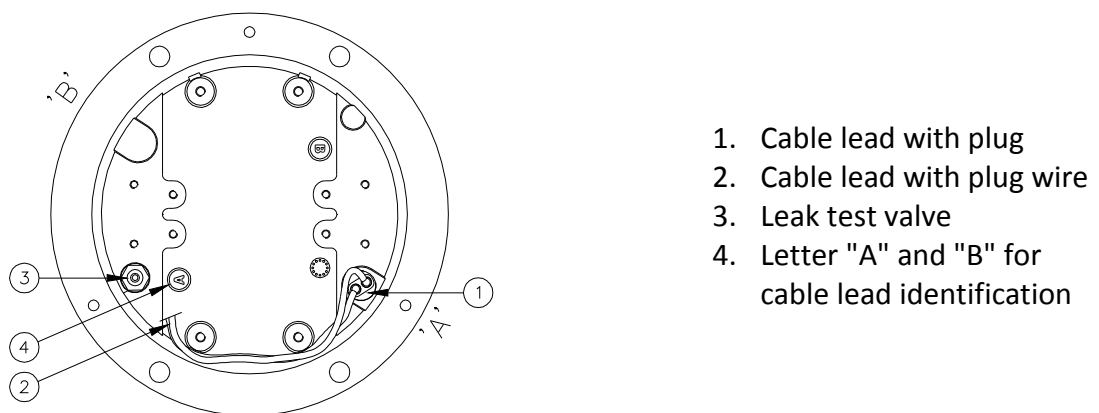


Figure 3 – Lower Cover Inside View

Edition 13/10/2017

Supersedes edition 11/03/2014

INSET HELIPORT LIGHT HSOL
INSTRUCTION MANUAL FOR USE, INSTALLATION AND MAINTENANCE

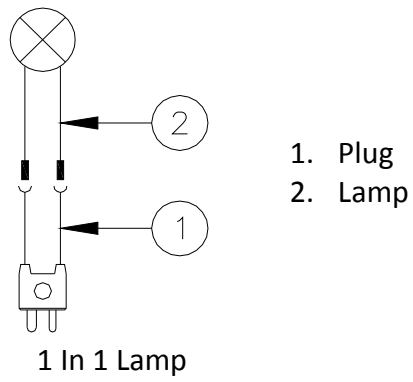


Figure 4 – Wiring Diagram

Edition 13/10/2017

Supersedes edition 11/03/2014

INSET HELIPORT LIGHT HSOL
INSTRUCTION MANUAL FOR USE, INSTALLATION AND MAINTENANCE

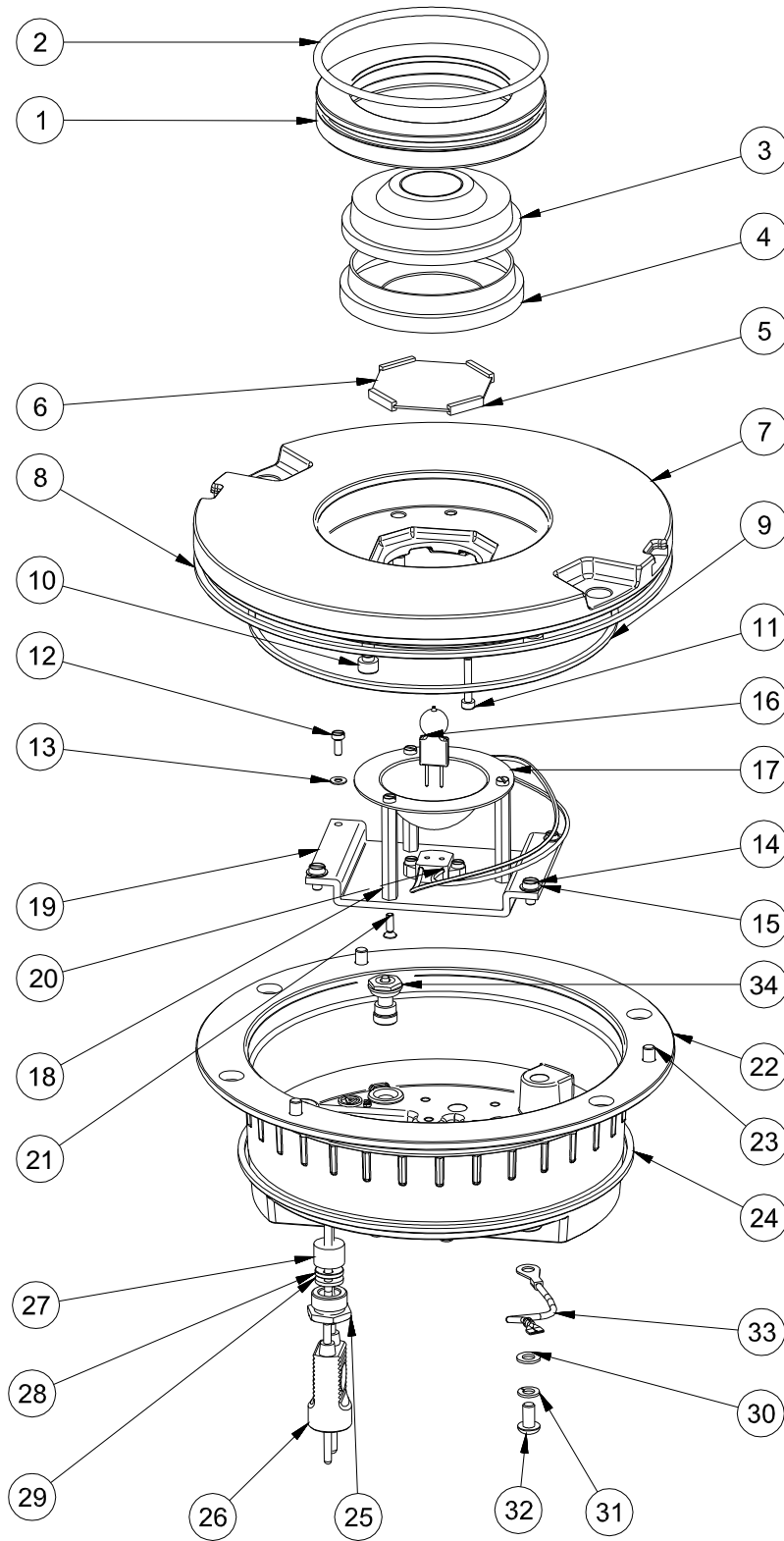


Figure 5 – Exploded View

Edition 13/10/2017

Supersedes edition 11/03/2014

INSET HELIPORT LIGHT HSOL
INSTRUCTION MANUAL FOR USE, INSTALLATION AND MAINTENANCE

No.	Description	Qty
1	Aluminium ring	1
2	O-Ring 4362 silicone	1
3	Lens	1
4	Lens gasket.....	1
5	Filter gasket.....	4
6	Filter	1
7	Dome.....	1
8	O-Ring 4775 silicone	1
9	O-Ring 4600 silicone	1
10	HSCH M5x16 inox screw	3
11	HSCH M3x20 inox screw	1
12	HSCH M3x8 inox screw	7
13	Ø3 inox washer	2
14	HSCH M4x8 inox screw	2
15	Ø4 inox washer	2
16	Lamp.....	1
17	Reflector.....	1
18	Stud bolt.....	3
19	Omega support	1
20	Lampholder G/GY 6,35	1
21	HSCH M3x10 inox screw	3
22	Lower cover.....	1
23	TORX SFH M5x10 inox screw	3
24	O-Ring 4625 silicone	1
25	Cable gland nut	1
26	Cable lead with plug L-823.....	1
27	Cable gland gasket	1
28	Cable gland metal washer.....	1
29	Cable gland Teflon washer.....	1
30	Ø5x10x1 inox washer.....	1
31	Ø5 inox grower washer.....	1
32	CH M5x10 inox screw.....	1
33	Grounding cable L=250 mm.....	1
34	Leakage test valve.....	1

Figure 6 – Part List

Edition 13/10/2017

Supersedes edition 11/03/2014

INSET HELIPORT LIGHT HSOL
INSTRUCTION MANUAL FOR USE, INSTALLATION AND MAINTENANCE

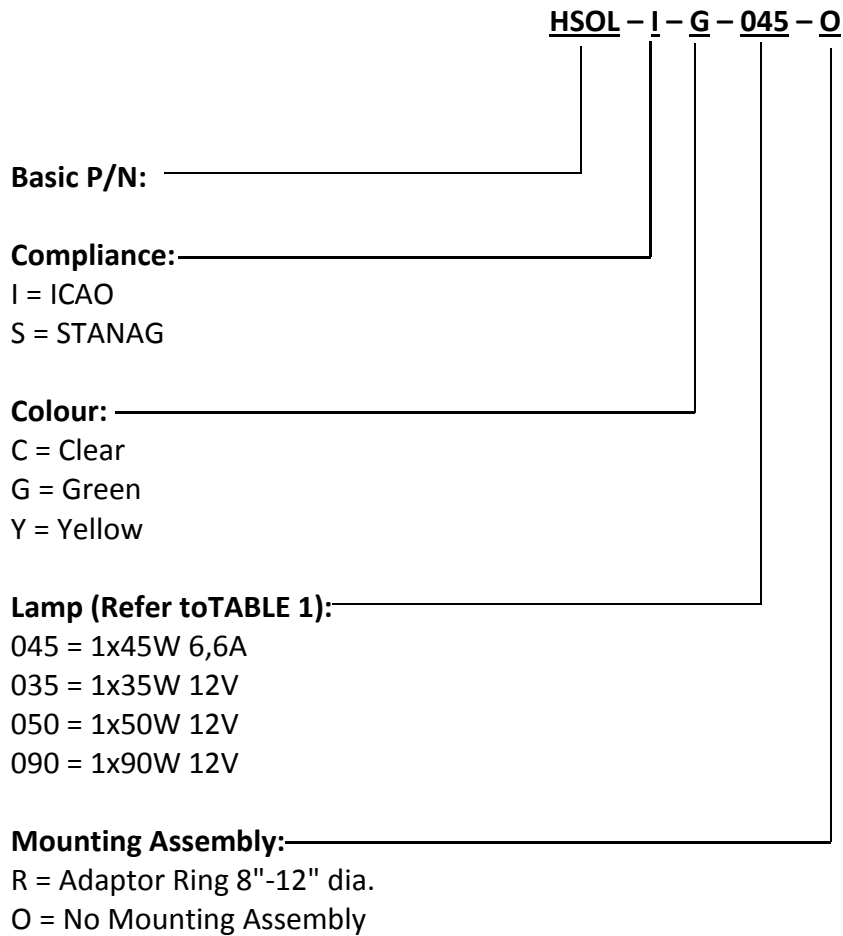


Figure 7 – Complete P/N identification

SPECS	USE	COLOUR		
		CLEAR	GREEN	YELLOW
ICAO	FATO and Aiming Point	90W 12V		
ICAO	Heliport Edge		45W 6,6A 35W 12V 50W 12V	
STANAG	Heliport Edge			45W 6,6A 50W 12V
STANAG	Landing Direction			45W 6,6A 50W 12V

Table 1 – Lamp Selection

Edition 13/10/2017

Supersedes edition 11/03/2014

INSET HELIPORT LIGHT HSOL
INSTRUCTION MANUAL FOR USE, INSTALLATION AND MAINTENANCE

2.2 SHALLOW BASE

The **shallow base** (Figure 9) consists of a treated aluminium casting containing an electrical feed-thru system to connect the power cables, consisting of one cable lead with receptacle incoming inside the base through one cable gland. The cable lead with receptacle consists of two single-pole leads, size 2.5 mm², 1.00 m long, with FAA L-823 receptacle.

The letters "A" and "B" are printed inside the base for cable leads identification.

The base is equipped with an internal grounding screw with yellow-green cable lead, size 2.5 mm², 0.250 m long, with female faston terminal for quick connection to the corresponding of the fixture. An additional external grounding screw is provided close to the cable entry.

The shallow base is designed for cementing in place by means of epoxy-resin in a hole drilled in the pavement.

The fixture has to be fastened to the base by means of two or six M10x30 stainless steel hex cap screws (8" or 12" shallow base resp.). If the base has American threaded holes, UNC 3/8-16 screws can be used. Each locking screw is complete with special sealed external silicon-coated lock-washer.

A gasket (separately supplied) must be placed between base and fixture for watertightness: for 8" fixtures (Figure 8 - n°1) around the lower cover, for 12" fixtures (Figure 9 - n°9) placed in the relevant shallow base groove.

The 12" shallow base is 320 mm in diameter and 150 mm high, while the 8" one is 214 mm in diameter and 125 mm high.

On request, special bases without cable leads can be supplied, provided with holes suitable for conduit connections.

Inside the base two suitable holders (Figure 9 - n°7) are provided to properly sustain the secondary power cable, in case of this cable is inside incoming through a conduit.

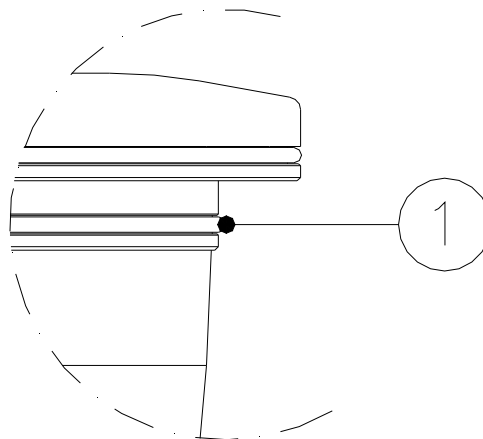
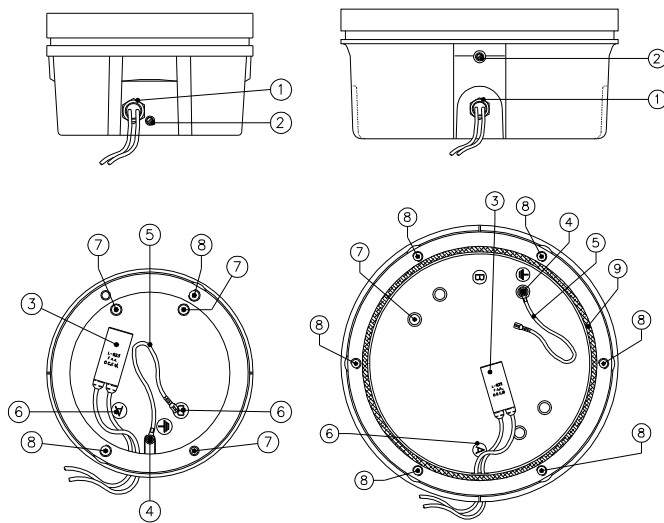


Figure 8 – Gasket of 8" fixture for 8" shallow base

Edition 13/10/2017

Supersedes edition 11/03/2014

INSET HELIPORT LIGHT HSOL
INSTRUCTION MANUAL FOR USE, INSTALLATION AND MAINTENANCE



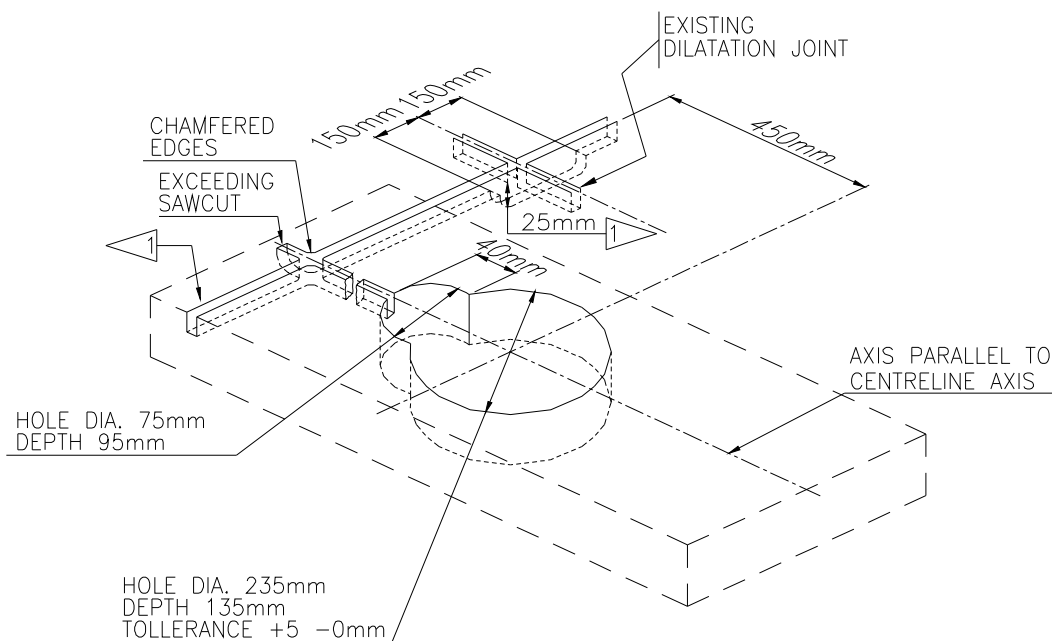
1. Cable gland for cable entry
2. External grounding screw
3. Cable leads with socket
4. Internal grounding screw
5. Grounding cable with female faston terminal
6. Letters "A" for cable lead identification
7. Power cable holders
8. Threaded holes for fixture fastening by bolts
9. O-Ring between fixture and base

Figure 9 – Standard 8"-12" shallow base

3 INSTALLATION

3.1 Pavement Boring and Sawcutting

Drill each recess in pavement following the instruction in Figure 10.



NOTE:

- 1 12" SHALLOW BASE :
- BASE HOLE : DIA: 340mm – 160 mm DEEP (+5 ; -0)
- CABLE GLAND HOLE : DIA: 75mm – 120 mm DEEP

Figure 10 – Pavement Boring, Sawcutting and Joint Intersection Details

Edition 13/10/2017

Supersedes edition 11/03/2014

INSET HELIPORT LIGHT HSOL
INSTRUCTION MANUAL FOR USE, INSTALLATION AND MAINTENANCE

Make sure the recess size and depth are maintained within the specified limits. All surfaces of the recess must be clean and dry. If any of these surfaces is damp, it is desirable that it be dried and blown clean with a compressed air blast. The recess side walls must be perpendicular to the pavement surface. The bottom surface must be flat or slightly concave to assure that the shallow base rest securely and in true position. The recess can best be drilled using a diamond-faced core drill in a sturdy, stable drill rig.

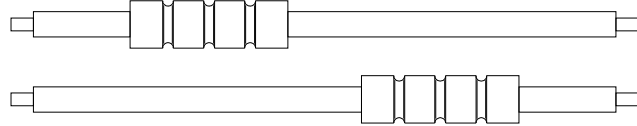
Mark on the pavement surface the aiming direction of the light by chalk, nails or other devices.

3.2 INSTALLING THE SHALLOW BASE

Two different installations are possible:

- Method “A” – cable leads to be laid in wireways
- ▣ Method “B” – cable leads to be laid in cable ducts (Figure 14)

Proceed as follow to realize a proper installation.

STEP	A	B	ACTIVITY DESCRIPTION
1	•	▣	Take the base from the shipping box.
2	•	▣	To assure an adequate bond between base and hole all external surfaces of the base should be sandblasted and must be cleaned with solvent. TAKE CARE NOT TO DAMAGE THE ELECTRICAL SYSTEM.
3	•	/	Connect an insulated G/Y grounding wire of suitable length to the grounding screw externally provided on the wall of the base.
4	•	/	<p>Splice the light base leads to the power cables using solderless squeeze connectors, as shown in the figure, crimped with the proper tool. Connect also the grounding wire to the main grounding network by using a suitable clamping lug.</p>  <p>ATTENTION: Insulate each splice carefully using either heat shrinkable insulating tubing properly applied or at least three layers of plastic electrical insulating tape applied with half overlap.</p>

INSET HELIPORT LIGHT HSOL
INSTRUCTION MANUAL FOR USE, INSTALLATION AND MAINTENANCE

STEP	A	B	ACTIVITY DESCRIPTION
5	•	☐	<p><u>Mount the positioning jig (P/N 332.4301) on the base as shown in Figure 15. An optical device for proper fixture orientation is available (P/N 332.4351 Figure 16).</u></p>
6	•	/	<p>Properly arrange the leads in the wireways using small pieces of insulating tape if necessary.</p>
7	•	☐	<p>Completely cover the bottom of the base with sealer material, apply a thin coat of sealer to the bottom of the drilled hole to assure a bond between the bottom of the light base and the drilled hole. It may be necessary to place temporary plugs so as to block the wireways entrances into the drilled hole (METHOD "A") or the cable ducts entrance (METHOD "B"). The plugs will retain the sealer while it begins to dry up.</p> <p>ATTENTION: avoid starting the installation when the ambient temperature is below 10°C (86°F), unless the sealer used is designed to dry up at a lower temperature.</p>
8	•	☐	<p>Push the base into the recess until its upper side is at the level of the pavement surface; take care no sealer flowing inside the base. Align the notch of the base with the markings on the pavement surface.</p>
9	•	/	<p>Observing the circular level fixed on the jig, level the jig by operating the three leveling lobe knobs (Figure 15). If necessary, a weight may be placed on the jig to hold the light base in position.</p> <p>The remainder of the space between the sides of the shallow base and the drilled hole should be filled with sealer up to approx 25 mm from the pavement, according to the local needs.</p> <p>Fill the remaining 25 mm with a suitable joint sealing filler.</p>

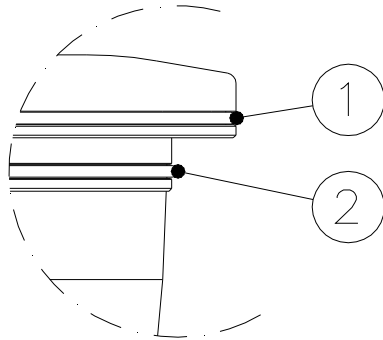
INSET HELIPORT LIGHT HSOL
INSTRUCTION MANUAL FOR USE, INSTALLATION AND MAINTENANCE

STEP	A	B	ACTIVITY DESCRIPTION
10	/	☐	<p>Observing the circular level fixed on the jig, level the jig by operating the three leveling lobe knobs (Figure 15). If necessary, a weight may be placed on the jig to hold the light base in position.</p> <p>When the shallow base is in its final position, the conduit(s) must be properly jointed to the hole(s) provided on the shallow base. This(these) hole(s) can be provided either on the wall either on the bottom, the number and the dimensions according to customer requirements (and Figure 14).</p> <p>The remainder of the space between the sides of the shallow base and the drilled hole should be filled with sealer up to approx 25 mm from the pavement, according to the local needs.</p> <p>Fill the remaining 25 mm with a suitable joint sealing filler.</p>
11	/	☐	<p>Lay the secondary power cable, equipped with a suitable two-pole receptacle kit, and the grounding wire inside the cable duct.</p>
12	•	☐	<p>To install a 8" fixture place the O-Ring around the dome (Figure 11- n°1) and between fixture and base (Figure 11- n°2), for 8" fixtures with adaptor ring place the O-Ring between fixture and base (Figure 12- n°3).</p> <p>To install a 12" fixture place the O-Ring around the dome (Figure 12- n°1) and between fixture and base (Figure 12- n°3).</p> <p>Connect the plug and the grounding wire of the fixture with the receptacle and the grounding wire of the base; press the fixture by hand onto the base and secure it using the six (12" base) locking screws complete with washer, one drop of screw paste (e.g. Dow Corning Molycote 1000) should be applied to the screws before installation; two screws are used for 8" base, one drop of anaerobic adhesive, medium type (e.g. Loctite 243) should be applied.</p> <p>Tightening torque is 35 Nm.</p> <p>ATTENTION: The fixture is subject to mechanical damage and/or optical misalignment if not properly seated on the base flange.</p>

Edition 13/10/2017

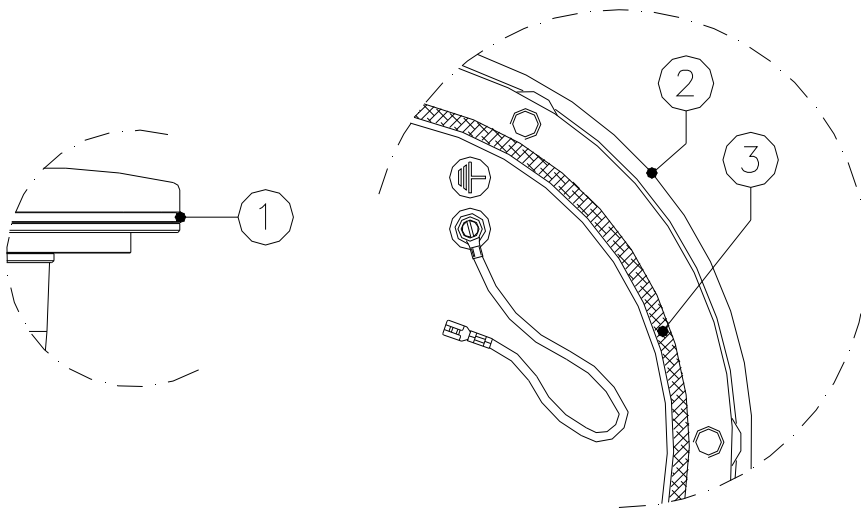
Supersedes edition 11/03/2014

INSET HELIPORT LIGHT HSOL
INSTRUCTION MANUAL FOR USE, INSTALLATION AND MAINTENANCE



1. O-Ring around the dome
2. O-Ring between fixture and base

Figure 11 – Gaskets for 8" shallow base



1. O-Ring around the dome
2. 12" shallow base
3. O-Ring between fixture and base

Figure 12 – Gaskets for 12" shallow base

Edition 13/10/2017

Supersedes edition 11/03/2014

INSET HELIPORT LIGHT HSOL
INSTRUCTION MANUAL FOR USE, INSTALLATION AND MAINTENANCE

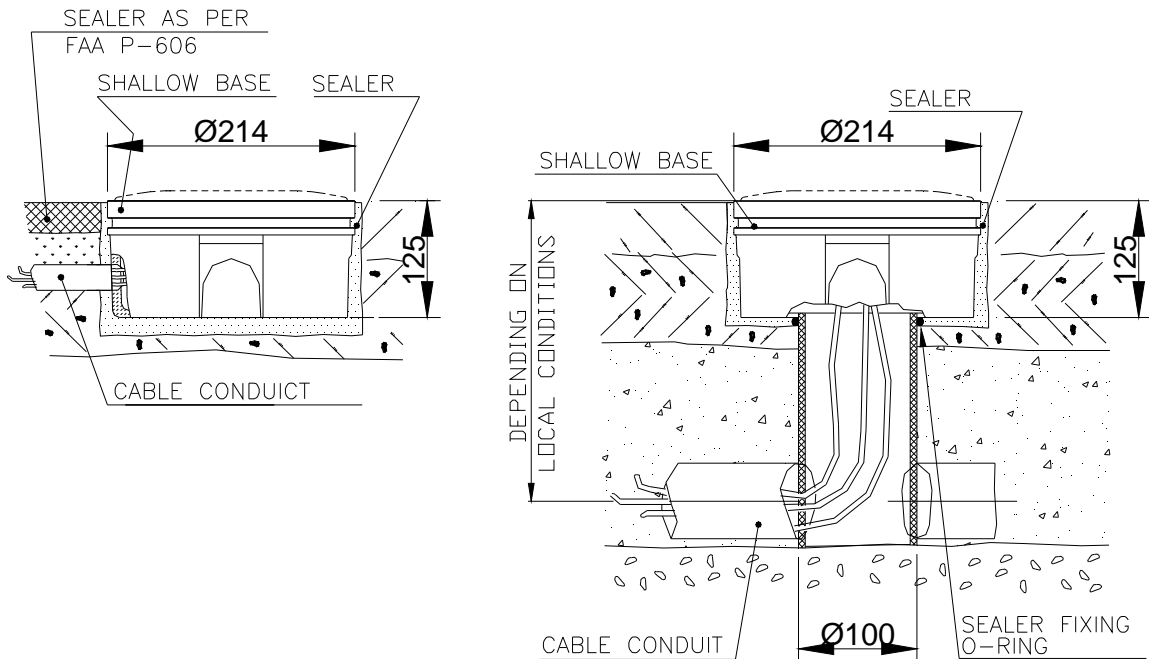


Figure 13 – 8" shallow base for side or bottom ducts (method "B")

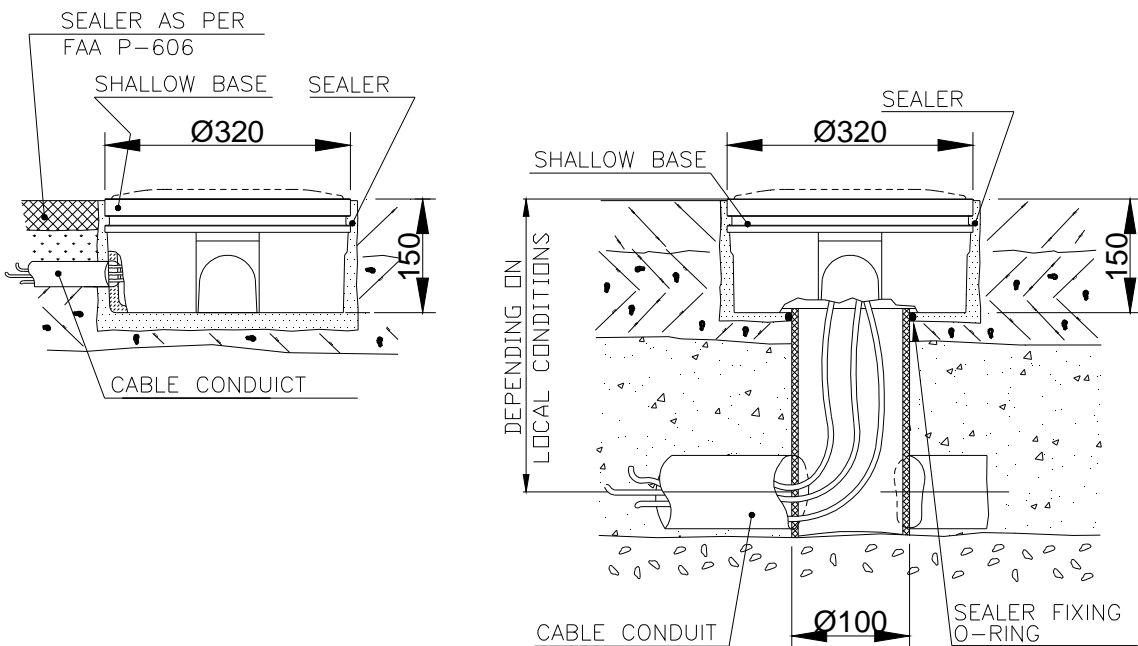
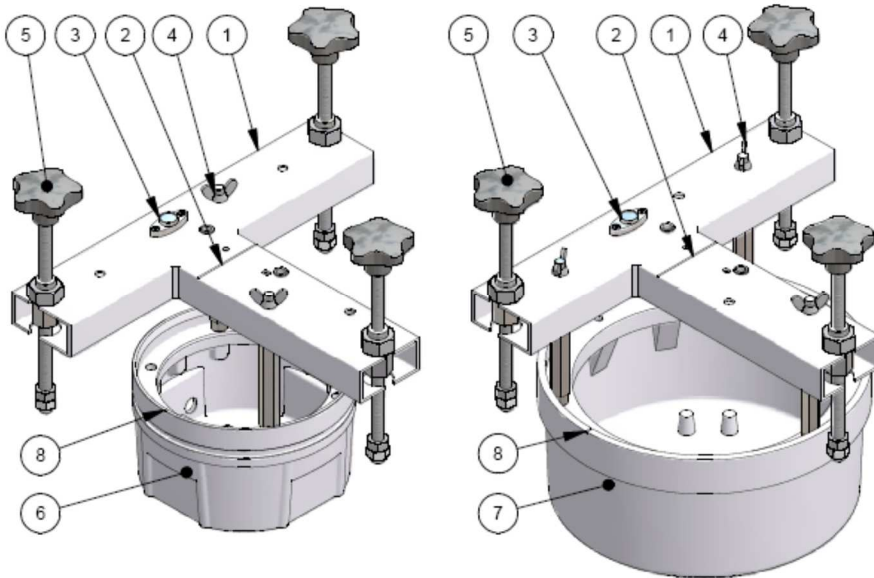


Figure 14 – 12" shallow base for side or bottom ducts (method "B")

Edition 13/10/2017

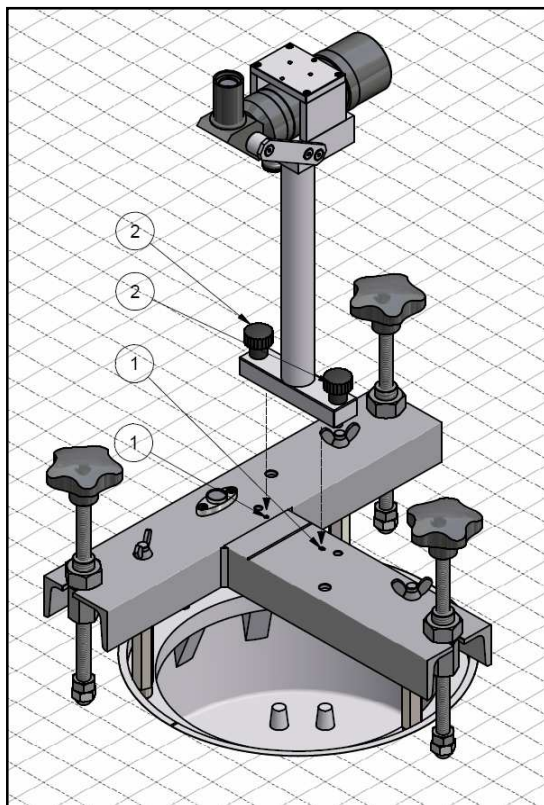
Supersedes edition 11/03/2014

INSET HELIPIPORT LIGHT HSOL
INSTRUCTION MANUAL FOR USE, INSTALLATION AND MAINTENANCE



1. Positioning jig
2. Align the jig notch with the mark on the pavement
3. Circular level
4. Screws and spacers for the jig mounting
5. Lobe knob for positioning jig levelling
6. 8" shallow base
7. 12" shallow base
8. Shallow base notches aligned with the notch on the jig

Figure 15 – Shallow base installation details



1. Positioning jig holes for optical device reference pins
2. Fixing knobs

Figure 16 – Optical device (refer to the manual UT-MT-0485 for further information)

Edition 13/10/2017

Supersedes edition 11/03/2014

INSET HELIPORT LIGHT HSOL
INSTRUCTION MANUAL FOR USE, INSTALLATION AND MAINTENANCE

3.3 INSTALLING THE LIGHT UNIT ON L-868 BASE, SIZE B

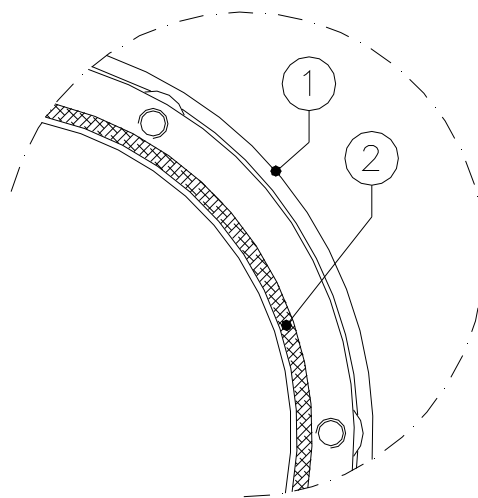
Install L-868 light base in compliance with FAA AC 150/5340-30.

The fixture is shipped complete (including the lamps) and is ready for installation as received, in case of 8" fixture it shall be complete of adaptor ring.

Be sure the flange on the transformer housing is clean and the O-Ring (Figure 17 – n°2), if used, is in place in the O-Ring groove.

Connect the plug of the fixture to the receptacle of the isolating transformer inside the deep base. Connect the grounding wire of the fixture to the grounding wire of the deep base (faston connection). Then press the fixture firmly and evenly by hand onto the base flange. Secure the fixture to the base by using the six locking screws complete with washers, supplied with the base. One drop of anaerobic adhesive, medium type (e.g. Loctite 243) should be applied to the screws before installation; tightening torque is 25 Nm.

The fixture is subject to optical misalignment and/or mechanical damage if not properly seated.



- 4. L-868 base
- 5. O-Ring between fixture and base

Figure 17 – Gaskets for L-868 base

3.4 SECONDARY WIRING

The IEC 61823 International Standard (AGL series transformers) states at para. 4.6 that “if an earthing connection is provided, it shall be connected to the larger socket of the transformer secondary connector.”

INSET HELIPORT LIGHT HSOL
INSTRUCTION MANUAL FOR USE, INSTALLATION AND MAINTENANCE

This means that, when a fixture is directly connected to the relevant isolation transformer (provided with earthing connection), the fixture secondary side is wired to the grounding network through the larger pin of fixture plug.

In case of an inset fixture, installed in the taxiway/runway pavement on its shallow base far from the relevant isolation transformer, it is necessary to provide a secondary extension between fixture and transformer. To help the installer to identify the larger socket of the female connector inside the base (when installed), the base secondary cable leads are identified by a colour code: the grey wire is wired to the larger socket, the black wire to the other one. In this way it will be easy to assure the earthing wiring, above described, between the larger socket of the transformer secondary connector and the larger pin of the fixture plug.

4 MAINTENANCE

WARNING
BEFORE ANY MAINTENANCE INTERVENTION, MAKE SURE
THE POWER SUPPLY BE SWITCHED OFF.
DO NOT OPERATE ON LIVE PARTS!!!

The preferred method of maintaining these lights is replacing each fixture periodically and systematically and return it to the maintenance shop for renovation.

Field servicing shall be limited to cleaning the prisms.

4.1 MAINTENANCE PROGRAM

In order to ensure maximum light fixture life, the installed units should be subject to a maintenance program in accordance with the following instructions and taking as reference the Airport Service Manual ICAO - Part 9 - Airport Maintenance Practices or FAA AC 150 5340-30.

4.1.1 Periodical Checks

Weekly	Cleaning of the prisms and the light output channel of runway fixtures
Bi-monthly	Cleaning of the prisms and the light output channel of taxiway fixtures
Annually	Check for burned-out led
	Check for moisture inside the fixture
	STABILITY OF THE CIVIL WORKS OF RUNWAY FIXTURES

Edition 13/10/2017

Supersedes edition 11/03/2014

 INSET HELIPORT LIGHT HSOL
 INSTRUCTION MANUAL FOR USE, INSTALLATION AND MAINTENANCE

Unscheduled	Check for water in base
	ELECTRICAL CONNECTIONS AND INSULATION DEGREE
	LEAKAGE TEST
	Condition of all gaskets
	Check torque of mounting bolts after a month of their first installation
	Remove snow from around fixtures
	Check wires in saw kerfs

4.1.2 Snowplow Operations

Snowplow operators should exercise extra care not to strike the light fixtures with snowplow blades. After snow removal operations, inspect all light fixtures to locate and replace, if necessary, any damaged light assemblies.

Passes over the light rows should be made with a power broom only if practical. Whenever snowplows must traverse in-pavement light fixtures, they should be either travelling at less than 10 km/h or have the blades lifted clear of the fixtures. Recommended snow removal techniques are described in Airport Service Manual ICAO - Part 9 - Airport Maintenance Practices or FAA AC 150/5200-30.

4.2 REMOVING AND OPENING THE LIGHT UNIT FROM THE BASE

4.2.1 Removing the fixture

- Remove the fixture from the base, after switching off, by unscrewing the two locking screws complete with washers.
- Raise the fixture by using the two lifting tools (P/N 332.4140 or 332.4230) inserted in the suitable slots provided on the dome. As an alternative, two screwdrivers can be used.
- Disconnect the fixture plug/s and grounding cable from those inside the shallow base.

4.2.2 Opening the fixture

- Unscrew the leak valve cap and push the valve central pin, in this way the light internal pressure is the same of the atmospheric pressure.
- Open the fixture by unscrewing the three locking screws TORX SFH M5x10 (Figure 19 - n°1).

Every time the fixture is opened, inspect the following parts and replace them if necessary:

- lens, if it is dirty or damaged
- lens gasket, check the integrity
- cable lead with plug

INSET HELIPORT LIGHT HSOL
INSTRUCTION MANUAL FOR USE, INSTALLATION AND MAINTENANCE

4.2.3 How to Access the Filter and Lens Assembly

- unscrew the three screws HSCH M5x16 (Figure 18- n° 1) and remove the aluminium ring using two of them into the proper extraction-holes (Figure 18 - n° 2)

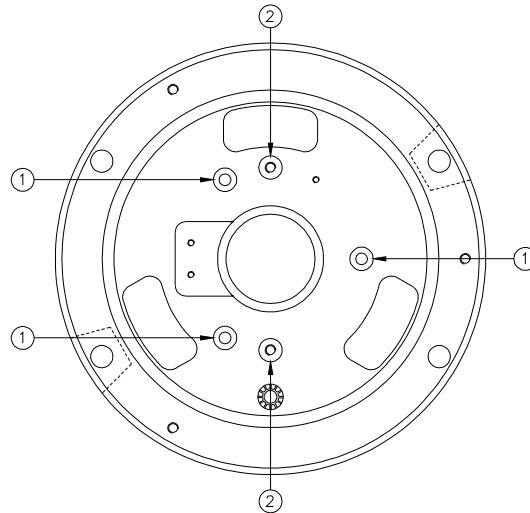


Figure 18 – Removing the Aluminium Ring

4.2.4 Closing the fixture

Every time the fixture is opened **replace** the following items with a new ones:

- three locking screws TORX SFH M5x10 (Figure 19 - n°1);
- O-Rings between dome and lower cover (Figure 21 – n°2);

Verify the correct position of O-Ring between dome and lower cover (Figure 21 – n°2);, mount the lower cover on the dome and fasten it by means the three screws TORX SFH M5x10 (Figure 19 - n°1). One drop of anaerobic adhesive lower type (e.g. LOXEAL 24-18) should be applied to the screws before installation; tightening torque is 2.5 Nm.

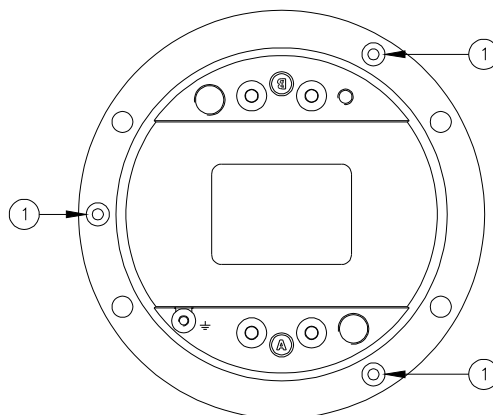


Figure 19 - Lower Cover Fixing Screws

4.2.5 Leakage test

INSET HELIPORT LIGHT HSOL
INSTRUCTION MANUAL FOR USE, INSTALLATION AND MAINTENANCE

The assembly should be given a 1.38 kPa air pressure test. This can be done by connecting an external air pressure line to the valve (Figure 20– n°2) provided on the lower cover. Immerge the assembly under water, so air loss will be easily viewed if some part is damaged or assembling is wrong.

If there is no air loss then test is passed successfully.

Light unit is ready to be field installed.

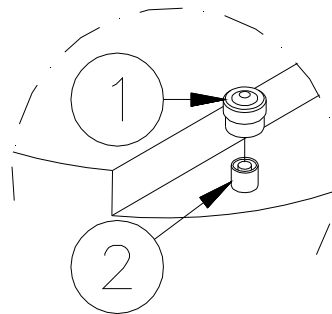
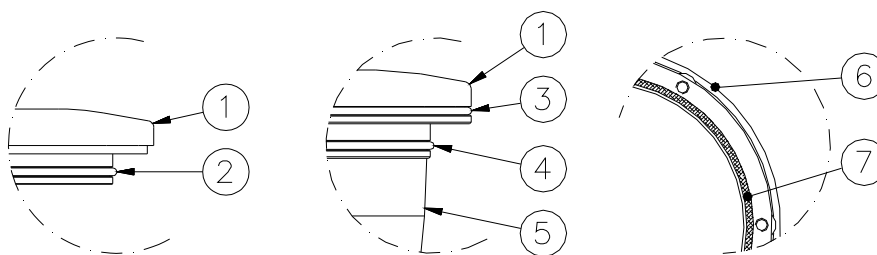


Figure 20 - Lower Cover with Pressure Valve

4.2.6 Reinstalling the fixture

Every time the fixture is removed from the base **replace** the following items with a new ones making sure that are right placed in the relevant groove:

- the two special seal lock washers;
- O-Ring around the dome (Figure 21 – n°3);
- O-Ring between fixture and 8" shallow base (Figure 21 – n°4);
- O-Ring between fixture and 12" shallow base (Figure 21 – n°7);
- The fixture is ready to be field installed.



3. Dome
4. O-Ring between dome and lower cover
5. O-Ring around the dome
6. O-Ring between fixture and shallow base
7. Lower Cover
8. 12" Shallow base
9. O-Ring between fixture and 12" Shallow base

Figure 21 – Fixture Gaskets

4.3 LENS CLEANING

4.3.1 Lens outside cleaning

- Removing the fixture is not necessary to clean the outer surface of the lens, and if already removed is not necessary to open it. Clean the lens surface with non abrasive glass product.

4.3.2 Lens inside cleaning

Normally the cleaning of the lens inside surfaces is not necessary because fixture is watertight. Whenever it is necessary, remember the following rules.

Remove the fixture from the base and open it following instructions of “*Removing and Opening the Light Unit From the Base*” and proceed as follows:

- turn the aluminium ring upside down as shown in Figure 22 and polish the lens (Figure 22 - n° 2) and filter surfaces (Figure 22 - n° 1) with non abrasive glass product
- dry them carefully

Close the light fixture following instructions of paragraph “*Closing the Fixture*”, “*Leakage Test*” and “*Reinstalling the fixture*”.

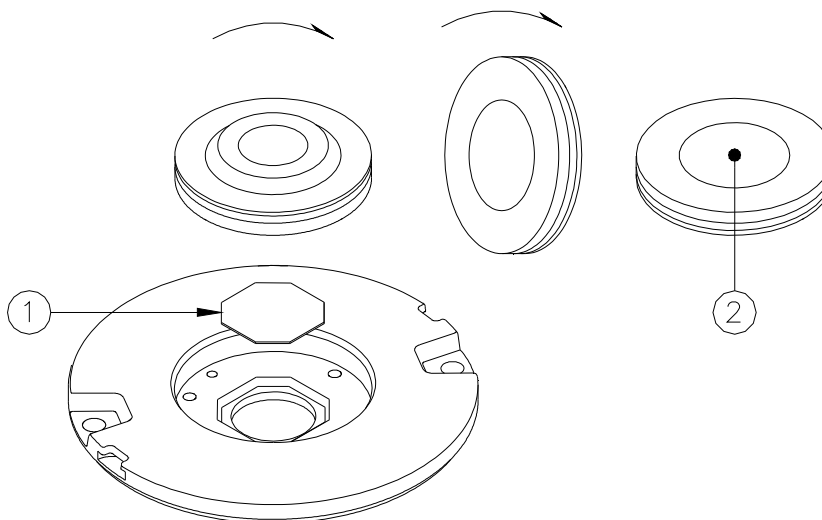


Figure 22 – Lens Surface to be Cleaned

4.4 LENS REPLACEMENT

If the lens is damaged it must be replaced as described below.

It is highly recommended to do a complete overhaul of the fixture. Contact OCEM - ENERGY TECHNOLOGY for any suggestion.

Edition 13/10/2017

Supersedes edition 11/03/2014

INSET HELIPORT LIGHT HSOL
INSTRUCTION MANUAL FOR USE, INSTALLATION AND MAINTENANCE

4.4.1 Removing the Lens

Remove the fixture from the base and open it following instructions of *“Removing and Opening the Light Unit From the Base”* and proceed as follows:

- clean out possible pieces of the old lens and all accumulated debris from inside the fixture
- remove the old lens and the gasket (Figure 23 – n°3-4), carefully clean the lens seat by scraping and taking care not to damage the relevant walls.

4.4.2 Installing the New Lens

- place a new gasket (Figure 23 – n°3) around the lens
- position and press by hand this assembly into the aluminium ring
- inspect all components inside the light unit for damages or signs of corrosion and replace it if necessary.

Close the light fixture following instructions of paragraph *“Closing the Fixture”*, *“Leakage Test”* and *“Reinstalling the fixture”*.

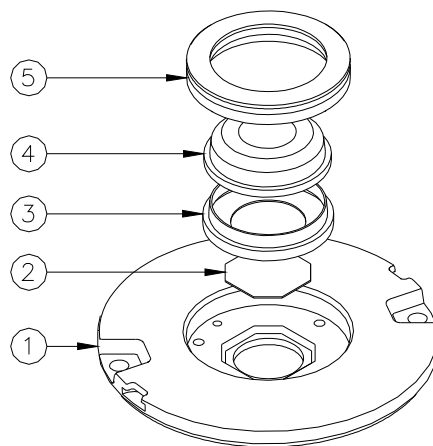


Figure 23 - Lens Replacement

4.5 FILTER REPLACEMENT

Remove the fixture from the base and open it following instructions of *“Removing and Opening the Light Unit From the Base”*.

It is highly recommended to do a complete overhaul of the fixture. Contact OCEM - ENERGY TECHNOLOGY for any suggestion.

4.5.1 Removing the filter

Clean out possible pieces of the old filter and all accumulated debris from the inside. Remove the filter assembly (Figure 24- n°1).

4.5.2 Installing the new filter

Place a new filter with relevant gaskets (Figure 24 - n°2) and place it into the relevant seat in the dome. Inspect all components inside the fixture for damages or signs of corrosion. Replace all necessary components.

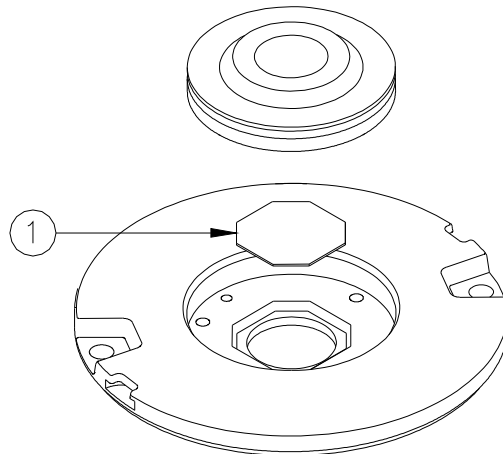


Figure 24 - Filter Replacement

Close the light fixture following instructions of paragraph “Closing the Fixture”, “Leakage Test” and “Reinstalling the fixture”.

4.6 RELAMPING

Remove the fixture from the base and open it following instructions of “Removing and Opening the Light Unit From the Base”.

Slide the burned lamp (Figure 25 - n°1) out from its lamp-holder seat (Figure 25 - n°2) and replace it with a new one.

CAUTION: touching the quartz bulb with bare fingers may seriously shorten the lamp life. If the quartz bulb has been touched, wipe it clean with a piece of fabric suitable for lens cleaning, or similar, moistened with isopropyl alcohol

Reassembly the fixture following instructions of paragraph “Closing the Fixture”, “Leakage Test” and “Reinstalling the fixture”.

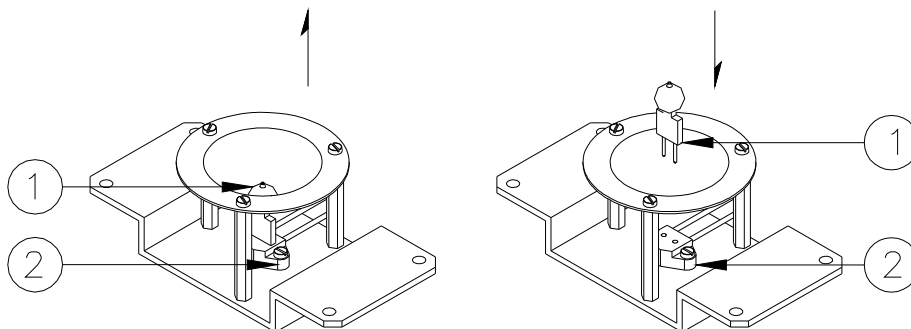


Figure 25 - Relamping

4.7 GASKETS

4.7.1 Gasket examination

Every time a fixture is opened each O-Ring must be examined as described below and **replaced** if necessary.

Any O-Ring that is stretched, torn, has a permanent set or some other defect, which would prevent it from obtaining a water-tight seal **must be replaced with a new O-Ring**.

Remove the fixture from the base and open it following instructions of *“Removing and Opening the Light Unit From the Base”*.

Light assembly is equipped with the following gaskets:

- O-Ring between dome and lower cover (Figure 26 - n°2);
- O-Ring around the dome (Figure 26 - n°3);
- O-Ring between fixture and 8” shallow base (Figure 26 - n°4);
- O-Ring between fixture and 12” shallow base (Figure 26 - n°7);
- lens gasket mounted between lens and dome (Figure 27- n°3).

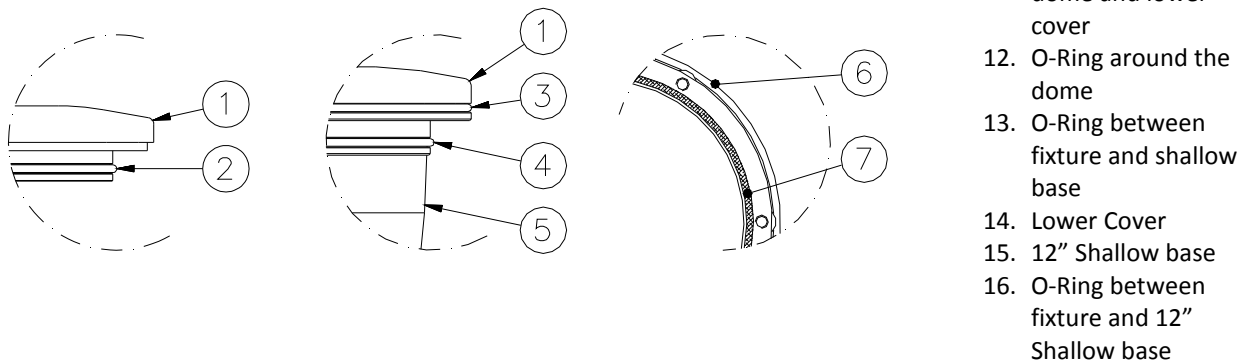


Figure 26– Fixture Gaskets

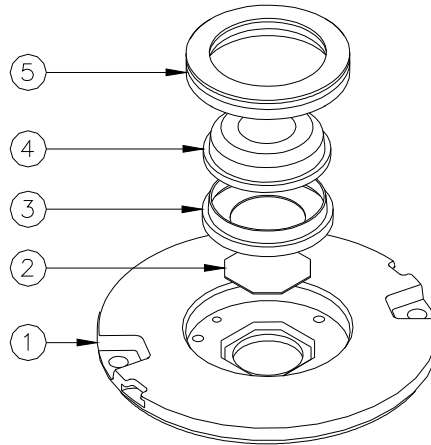


Figure 27 – Lens Gasket

4.7.2 O-Ring replacement

Remove the old O-Ring from the groove and clean the flange mating surfaces and the groove, scraping carefully. Take care not to damage the mating surface and the bottom and sides of the groove. Position it in the centre of its groove and push it inside.

NOTE 1: Make sure that the proper O-Ring is re-inserted into the groove.

NOTE 2: The seat of an O-Ring gasket is dimensioned to allow the proper positioning when compressed between the mating surfaces. Screws properly tightened are important in obtaining a complete seal.

TIGHTENING TORQUE	
lower cover TORX SFH M5x10	2.5 Nm
fixture locking screw	35 Nm (for shallow base)
	25 Nm (for L-868 base, size B)

4.8 CABLE LEAD WITH PLUG

4.8.1 Removing the cable lead with plug

Remove the fixture from the base and open it following instructions of “*Removing and Opening the Light Unit From the Base*”.

Inside the lower cover, disconnect the pair of wires with faston terminals from the lamp base. Remove the faston terminals by cutting the cables, unscrew the gland and pull out the cable lead with gland gasket.

INSET HELIPORT LIGHT HSOL
INSTRUCTION MANUAL FOR USE, INSTALLATION AND MAINTENANCE

4.8.2 Installing the new cable lead with plug

Insert on the new power supply cable lead with plug (Figure 28 – n° 1) the new gland nut (Figure 28 – n° 2) with teflon washer (Figure 28 – n° 3), metal washer (Figure 28 – n° 4) and then the new gland gasket (Figure 28 – n° 5) so that the available length of cables outside the fixture is approx. 50 cm when re-assembled. Pull both cables through the suitable hole provided in the bottom of the lower cover; then splice each cable for a length of approx. 7 mm and clamp the female faston terminal to the cable (Figure 28 – n° 6).

Place the gland gasket inside its seat and tighten the gland nut. Restore internally the electrical connections.

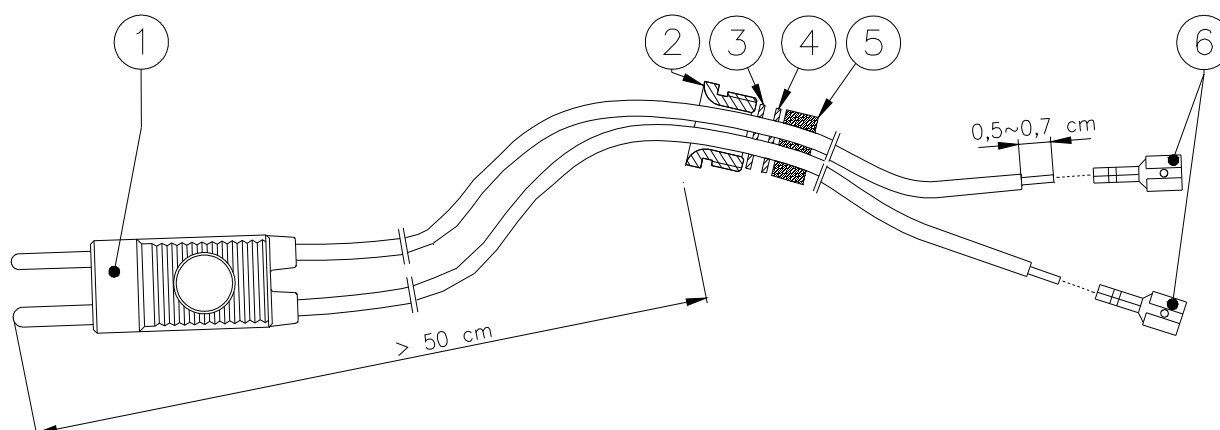


Figure 28 - Cable Lead With Plug

Close the light fixture following instructions of paragraph “Closing the Fixture”, “Leakage Test” and “Reinstalling the fixture”.

4.9 PRESSURE VALVE

If a leakage is found through the pressure valve during an air pressure test, check carefully where the leakage happens. If the leakage is between the valve (Figure 29 - n°1) and the lower cover, check the tightening of the valve body to the lower cover from the inside of the fixture.

In case the pressure valve needs replacing, operate as follows, considering the fixture already opened following instructions of “Removing and Opening the Light Unit From the Base”. Remove the valve cap (Figure 29 - n°3). Unscrew the valve body with gasket from the inside of the lower cover (Figure 29 - n°2) by clamping the hexagonal end section of the valve body. Screw the new valve on the lower cover; tightening torque is 0.35 Nm. Check the valve core (Figure 29 - °4) is tightened to the valve body (Figure 29 - n°5) and then screw its cap (Figure 29 - n°3).

Reassembly the light unit following instructions of paragraph *“Closing the Fixture”*, *“Leakage Test”* and *“Reinstalling the fixture”*.

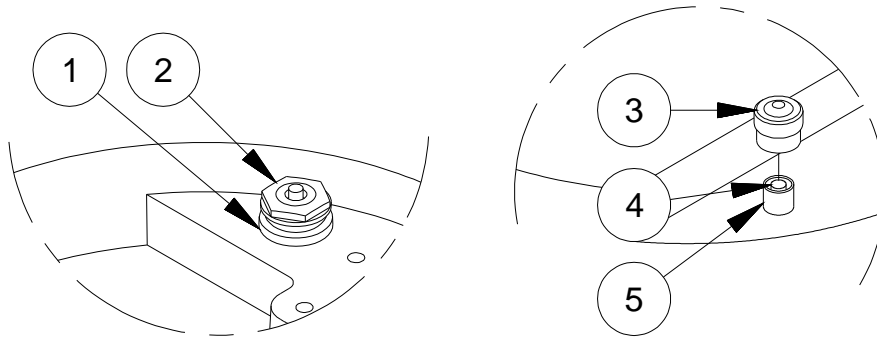


Figure 29 - Lower Cover with Pressure Valve

4.10 CLEANING

Service life depends upon the entire assembly being waterproof. All surfaces must be clean, dry and free of all foreign matter if the light fixture is to operate for an extended period without requiring maintenance.