

Via della Solidarietà n°2/1
40056 Valsamoggia Loc. Crespellano
BOLOGNA ITALY
Edizione 12/18/2014

LERA WITH BREAKABLE COUPLING INSTRUCTION MANUAL FOR AIMING OPTICAL DEVICE

Redatto da: E.RAULI

Approvato da: M.ROMAGNOLI

N° Allegati:

Copia n°:

Edizione 12/18/2014

LERA WITH BREAKABLE COUPLING - INSTRUCTION MANUAL FOR AIMING OPTICAL DEVICE

EDITIONS**Date**

18/12/2014 First Edition

REVISIONS

Index	Date	Description	Edited by	Approved by
--------------	-------------	--------------------	------------------	--------------------

LIST OF EFFECTIVE PAGES

From page 1 to page 9

Edizione 12/18/2014

LERA WITH BREAKABLE COUPLING - INSTRUCTION MANUAL FOR AIMING OPTICAL DEVICE

INDEX

EDITIONS	2
REVISIONS.....	2
LIST OF EFFECTIVE PAGES.....	2
INDEX.....	3
INDEX OF FIGURES.....	3
INDEX OF TABLES.....	3
LIST OF ATTACHMENTS	3
1. DEVICE FOR FIXTURE AIMING	4
2. LONGITUDINAL AND PERPENDICULAR AIMING MODALITY	5
3. TOE-IN ADJUSTMENT	6
4. VERTICAL ADJUSTMENT	8

INDEX OF FIGURES

<i>Figure 1: main components</i>	<i>4</i>
<i>Figure 2: longitudinal and perpendicular aiming</i>	<i>5</i>
<i>Figure 3: toe-in adjustment setting</i>	<i>6</i>
<i>Figure 4: screws to allow the fixture horizontal aiming</i>	<i>6</i>
<i>Figure 5: direction of fixture rotation towards the approach centreline for toe-in adjustment</i>	<i>7</i>
<i>Figure 6: vertical adjustment modality</i>	<i>8</i>
<i>Figure 7: vertical adjustment setting</i>	<i>8</i>
<i>Figure 8: vertical aiming adjustment device</i>	<i>9</i>

INDEX OF TABLES

LIST OF ATTACHMENTS

Edizione 12/18/2014

LERA WITH BREAKABLE COUPLING - INSTRUCTION MANUAL FOR AIMING OPTICAL DEVICE

1. DEVICE FOR FIXTURE AIMING

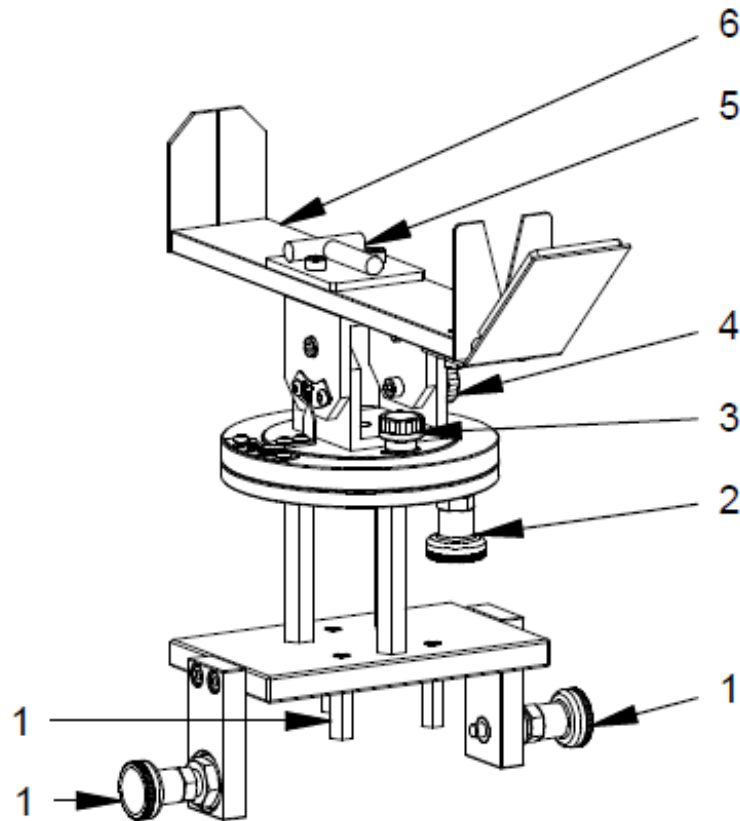


Figure 1: main components

1. Spacers and side rod springs
2. Rod spring to allow horizontal rotation of 90° steps
3. Knob for horizontal adjustment
4. Knob for vertical adjustment
5. Spirit levels
6. Fixture sight assembly

Note

Before any aiming operations, be sure that both the screws with washer, which locks the body to the special support and act as fulcrum, are loosen.

Edizione 12/18/2014

LERA WITH BREAKABLE COUPLING - INSTRUCTION MANUAL FOR AIMING OPTICAL DEVICE

2. LONGITUDINAL AND PERPENDICULAR AIMING MODALITY

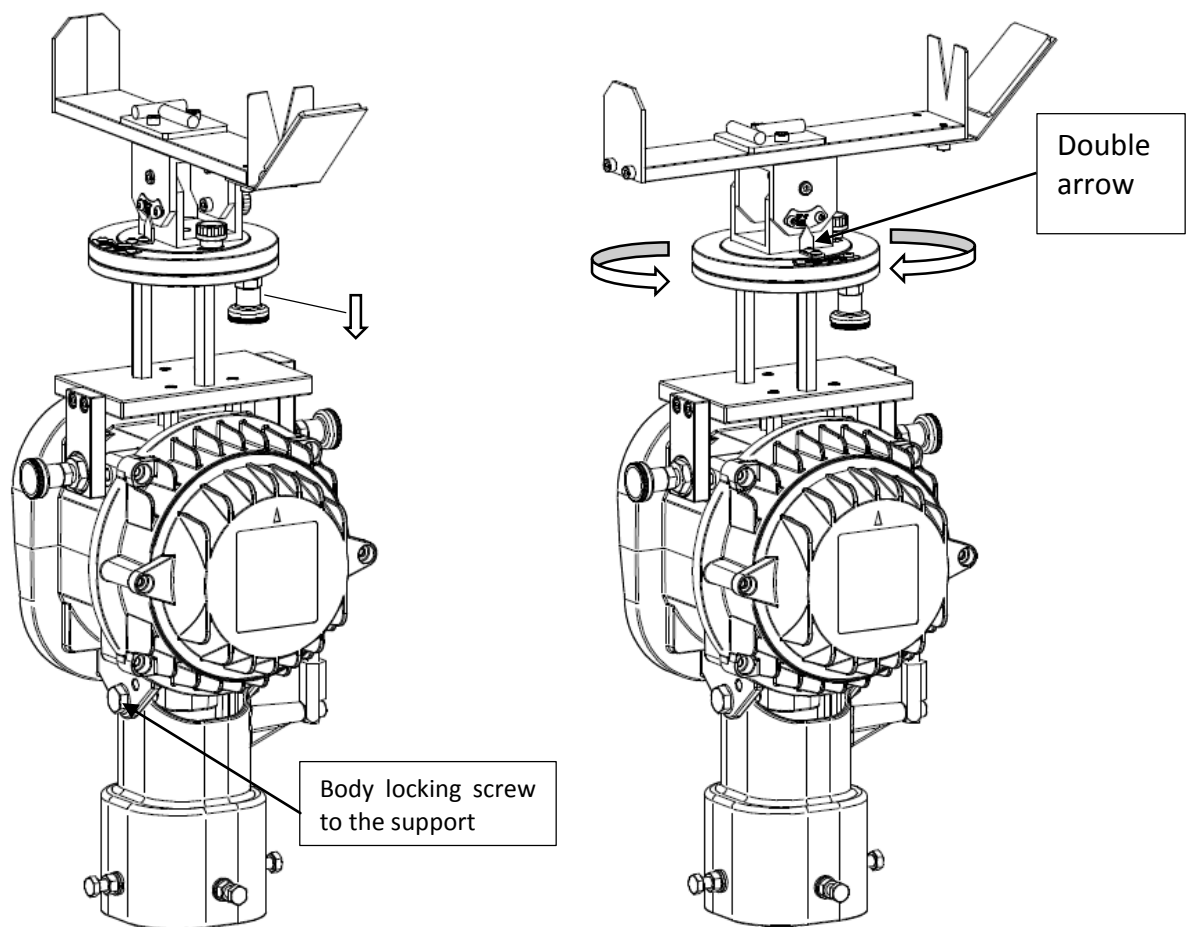


Figure 2: longitudinal and perpendicular aiming

- Be sure the the double arrow is set at 0° of the horizontal and vertical scales.
- Sight the fixture to a surveyor pole (or other reference) placed in front of or side to it, pull down the rod spring (2). The complete aiming assembly can be rotate on the horizontal 360 degrees with 90 degree steps.
- Check the spirit level bubbles be centered.

Edizione 12/18/2014

LERA WITH BREAKABLE COUPLING - INSTRUCTION MANUAL FOR AIMING OPTICAL DEVICE

3. TOE-IN ADJUSTMENT

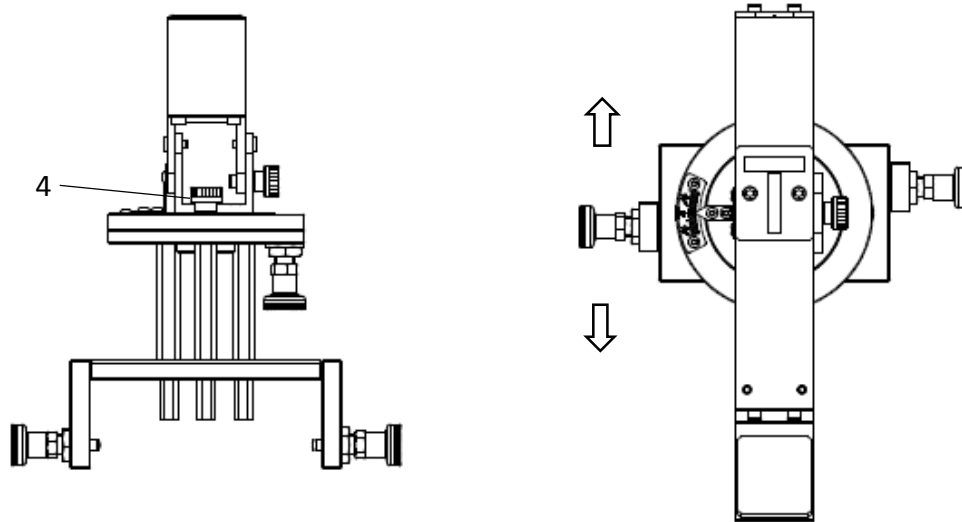


Figure 3: toe-in adjustment setting

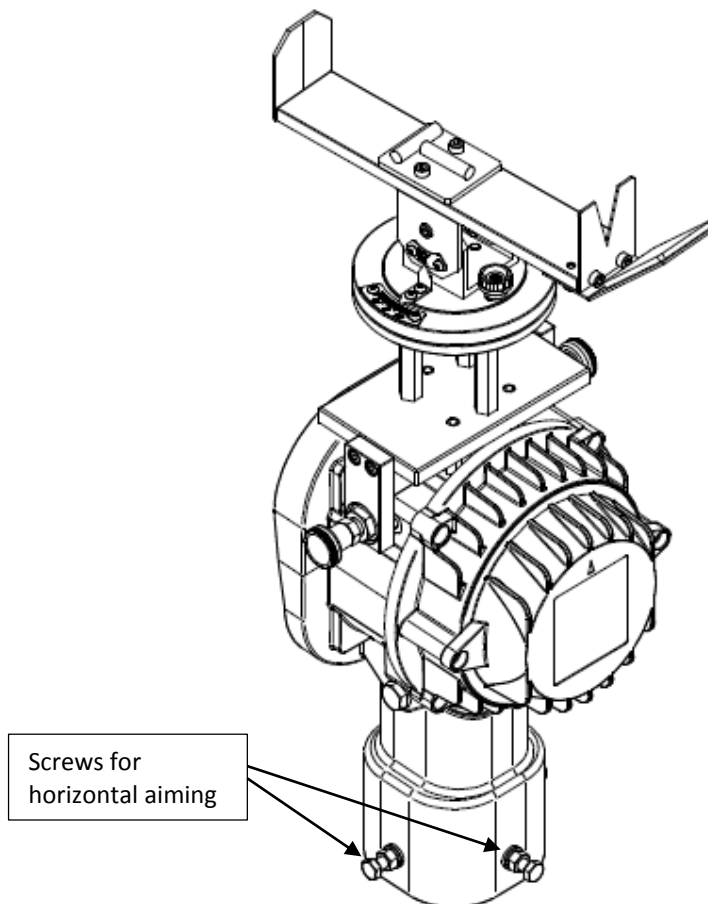


Figure 4: screws to allow the fixture horizontal aiming

Edizione 12/18/2014

LERA WITH BREAKABLE COUPLING - INSTRUCTION MANUAL FOR AIMING OPTICAL DEVICE

- Loosen the knob 4 (fig. 3).
- Set the required aiming as shown in figure 5.
- Lock the assembly tightening the knob 4.
- Turn the fixture towards the approach centreline sighting again the optical device to the surveyor pole.
- Level the fixture on the horizontal plane by using the 4 locking screws of the support (fig. 4).

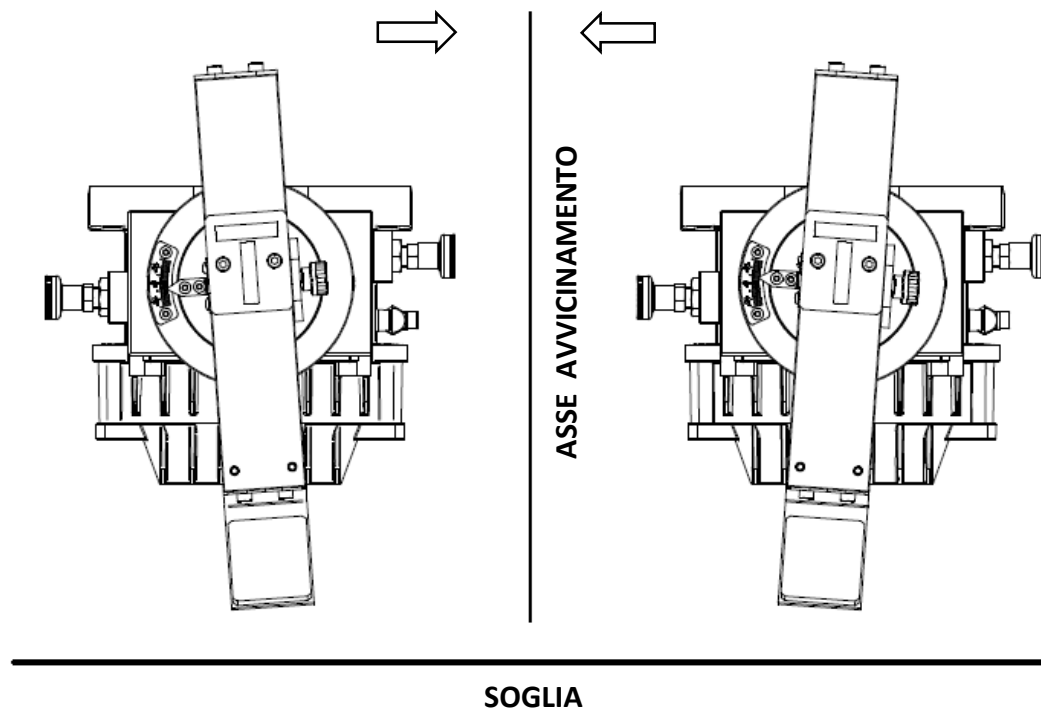


Figure 5: direction of fixture rotation towards the approach centreline for toe-in adjustment

Edizione 12/18/2014

LERA WITH BREAKABLE COUPLING - INSTRUCTION MANUAL FOR AIMING OPTICAL DEVICE

4. VERTICAL ADJUSTMENT

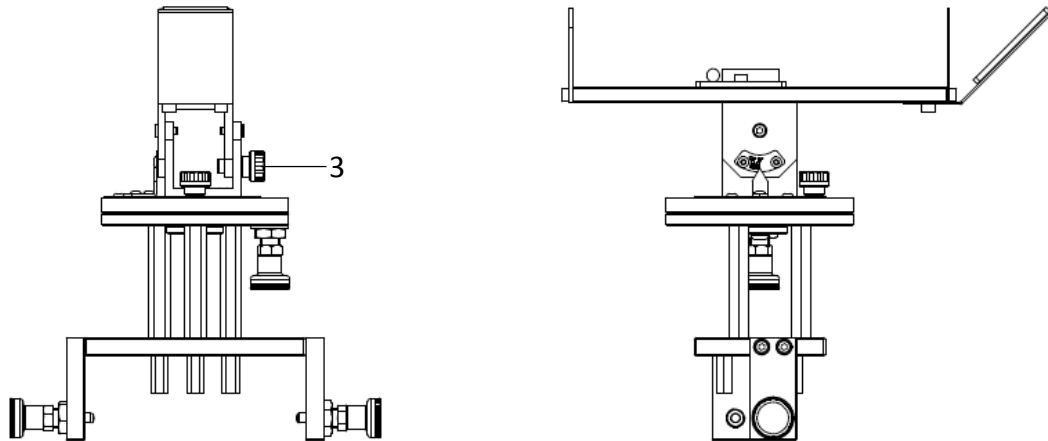


Figure 6: vertical adjustment modality

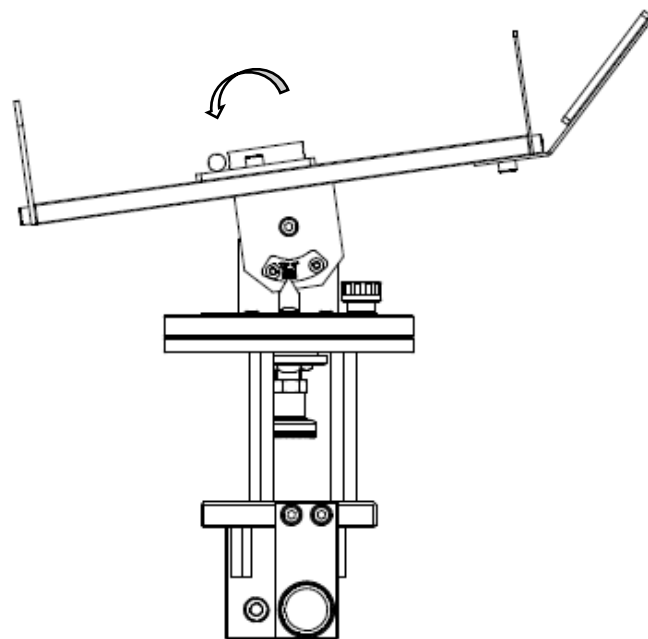


Figure 7: vertical adjustment setting

- Loosen the knob 3 (fig. 6).

Edizione 12/18/2014

LERA WITH BREAKABLE COUPLING - INSTRUCTION MANUAL FOR AIMING OPTICAL DEVICE

- Tilt the optical device to the required vertical angle (fig. 7).
- Operate the vertical aiming adjusting device (tie-rod) up to the the spirit level bubbles of the optical device are again centered (fig. 8).
- Tighten the 2 screws which lock the fixture body to the special support.

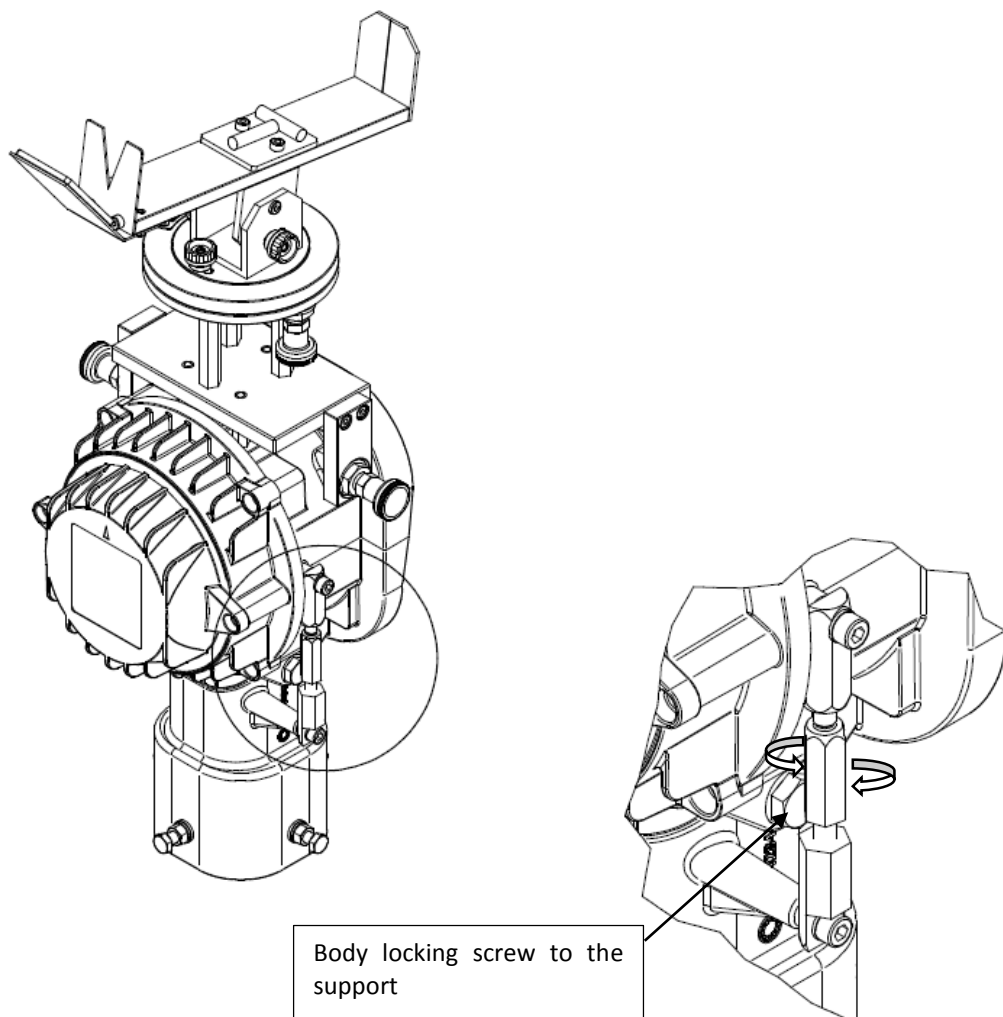


Figure 8: vertical aiming adjustment device